

1 2 3 4 5 6 7 8

REVISIONS		
ISS	ZONE	DESCRIPTION\PER REQUEST\DATE
A1	B-6	ADDED NOTES\N/A\09-23-'11
B	A-2	NO.5'S FINISH WAS CHANGED\RD-DM041203002\12-03-'15

F

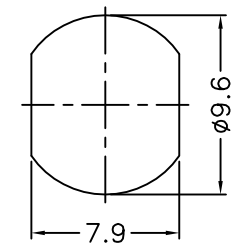
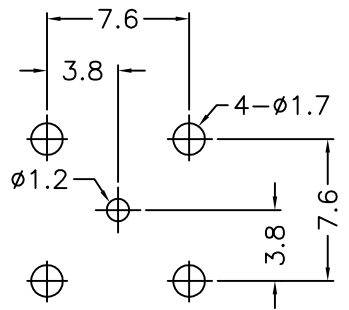
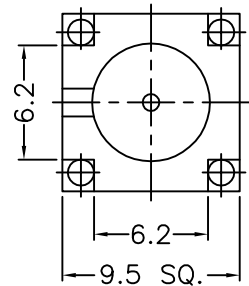
E

D

C

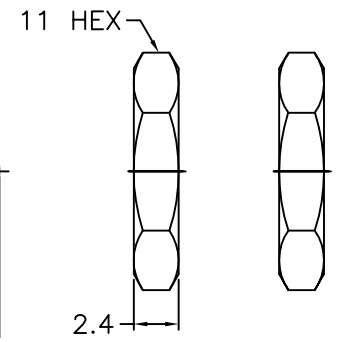
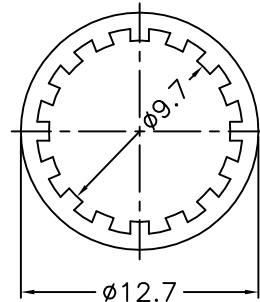
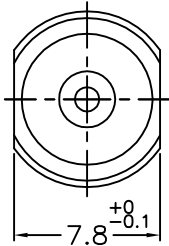
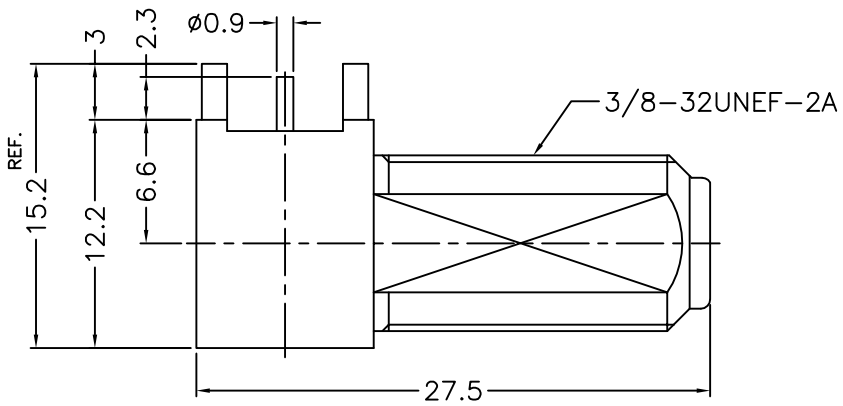
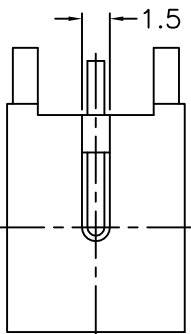
B

A



PCB MOUNTING HOLE
(印刷电路板架設孔)

RECOMMENDED MOUNTING HOLE
(建議架設孔)



- NOTES: FINISH (PLATING THICKNESS IN MICRO-INCHES)
- BRASS
 - ZINC DIECAST
 - NICKEL PL. 100 MIN. THICK OVER COPPER PL. 50 MIN. THICK
 - BRIGHT TIN PL. 100 MIN. THICK OVER NICKEL PL. 50 MIN. THICK OVER COPPER PL. 100 MIN. THICK
 - DELRIN
 - THIN GOLD OVER NICKEL PL. 50 MIN. THICK OVER COPPER PL. 50 MIN. THICK

- NOTES:
- ELECTRICAL:
 - A. IMPEDANCE: 75 OHM
 - B. FREQUENCY RANGE: DC - 2 GHz
 - C. DIELECTRIC WITHSTANDING VOLTAGE: 1500 VRMS MIN.
 - MECHANICAL:
 - A. DURABILITY: 100 CYCLES MIN.
 - B. TEMPERATURE RANGE: -40°C to +140°C

RoHS COMPLIANT

8	HEX NUT	SS41	NOTE 3	2	HN-11-3832-24
7	LOCK WASHER	NOTE 1	NOTE 3	1	LW-97-127-05
6	INSULATOR	NOTE 5	NATURAL	1	3832D-6252A2-6D
5	CONTACT PIN	NOTE 1	NOTE 6	1	3832D-6252A2-5
4	INSULATOR	NOTE 5	NATURAL	1	3832D-6252A2-4D
3	CONTACT PIN	NOTE 1	NOTE 4	1	SH-F81-180
2	INSULATOR	P.P.	NATURAL	2	
1	HOUSING	NOTE 2	NOTE 3	1	3832D-6252A2-1
NO.	DESCRIPTION	MATERIAL	FINISH	Q'TY	DRAWING NO.

DIMENSIONS ARE IN MILLIMETERS				PART NO.	
UNLESS OTHERWISE SPECIFIED TOLERANCES				APPROVED	
0.5-6	= ±0.2	DATE		12-03-'15	
6-30	= ±0.4	DATE		12-03-'15	
30-120	= ±0.6	DATE		12-03-'15	
120-315	= ±1	DATE		12-03-'15	
315-1000	= ±1.6	DATE		12-03-'15	
1000-2000	= ±2.4	DATE		12-03-'15	
SCALE	2.5/1	ISSUE	B		

G.L.I.		
TITLE		F R/A P.C. MOUNT JACK
DRAWING NO.		3832D-6252A2-75
FILE NO.		R:\D\G\DWG\3832\D\6252A2\75

F

E

D

C

B

A

1 2 3 4 5 6 7 8